



Foot switch metal enclosure

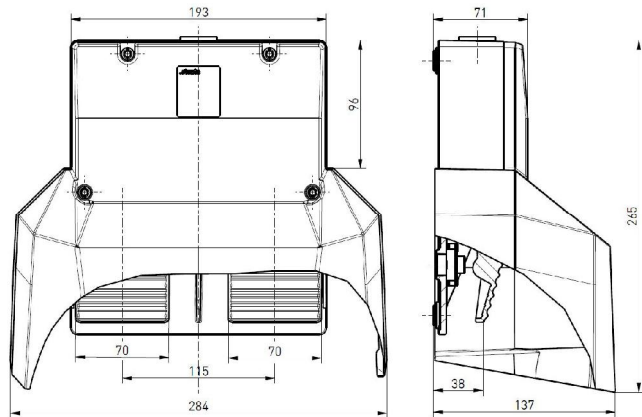
GFS 2 2ÖS/2ÖSD2Ö RAL5011

Material number: 1032042 (Old Materialnumber: 82279942)

Feature/Options

- 2-pedal type
- Metal enclosure
- With protective shield
- Low pedal height
- Wiring compartment

Dimensional drawing

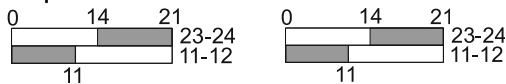


Technical Data

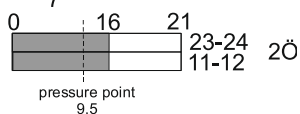
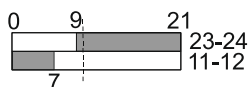
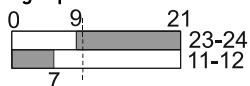
Standards	EN ISO 13849-1; EN 60947-5-1
Enclosure	aluminium die-cast, enamel finish blue RAL 5011
Protective shield	aluminium die-cast, enamel finish blue RAL 5011
Pedal	glass-fibre reinforced thermoplastic black
Connection	screw terminals
Cable cross-section	max. 2,5mm ² (incl. conductor ferrules)
Cable entry	1 x M25 x 1,5
Contact material	silver
Degree of protection	IP 65 to IEC/EN 60529
Switch elements	Slow action, positive break NC contact
Switching insert left	2x ES 40 1Ö/1S
Switching insert right	1x ES 60 2Ö and 2x ES 40 1Ö/1S
Pressure point right	245 N
B _{10d} (10 % Load)	2 million
T _M	max. 20 years
Utilization category	AC-15
I _e / U _e	6 A/400 VAC
Max. fuse rating	6 A gG/gN-fuse
Ambient temperature	- 25° C ... + 80° C
Mechanical life	> 1 million operations

Switching path

left pedal



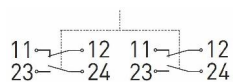
right pedal



Errors and omissions excepted.

Contact diagram

left pedal



right pedal

