

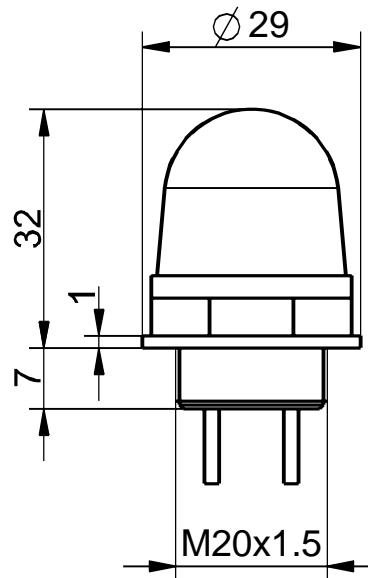


## Accessories for emergency pull-wire switches Indicator lamp Multi-LED WH 24 VDC Material no.: 1169220 (material no. old: 01.41.5106)

### Product features

- Lamp cap white
- M20 x 1.5
- 24 VDC
- Degree of protection IP65
- Temperature resistant from -20 °C to +50 °C

### Dimensions



### Technical data

#### Calotte

polycarbonate, shockproof, self-extinguishing UL 94 V-0, white transparent

#### Degree of protection

IP65 (IEC/EN 60529)

#### Rated operating voltage range $U_B$

24 VDC  $\pm 10\%$

#### Rated operating current $I_e$

45 mA

#### Lifetime

max. 100,000 h

#### Lamp

LED

#### Connection

stranded wires (tinned) with conductor ferrules

#### Ambient temperature

-20 °C ... +50 °C

#### Thread

M20 x 1.5

#### Approvals

cULus

#### Weight

20 g

Errors and omissions excepted.