

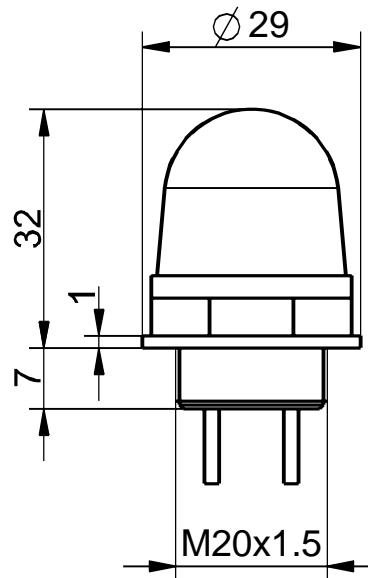


Accessories for emergency pull-wire switches Indicator lamp Multi-LED RD 230 VAC Material no.: 1178917 (material no. old: 01.41.5116)

Product features

- Lamp cap red
- M20 x 1.5
- 230 VAC
- Degree of protection IP65
- Temperature resistant from -20 °C to +50 °C

Dimensions



Technical data

Calotte

polycarbonate, shockproof, self-extinguishing UL 94 V-0, red transparent

Degree of protection

IP65 (IEC/EN 60529)

Rated operating voltage range U_B

230 VAC $\pm 10\%$

Rated operating current I_e

20 mA

Lifetime

max. 100,000 h

Lamp

LED

Connection

stranded wires (tinned) with conductor ferrules

Ambient temperature

-20 °C ... +50 °C

Thread

M20 x 1.5

Approvals



cULus

Weight

17 g