

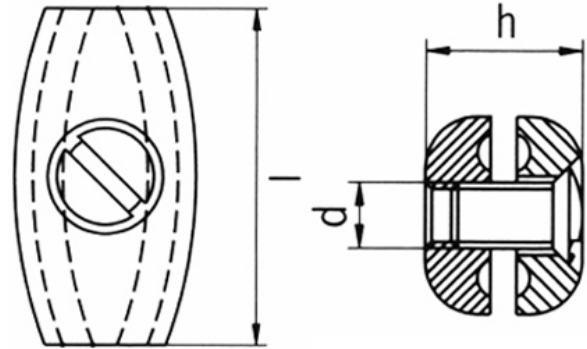


Accessories for emergency pull-wire switches Egg-shaped wire clamp Material no.: 1181896 (material no. old: 01.10.0091)

Product features

- For pull-wire with steel core \varnothing 3 mm

Dimensions



$l = 28 \text{ mm}$ | $h = 12 \text{ mm}$ | $d = \text{M5 thread}$