

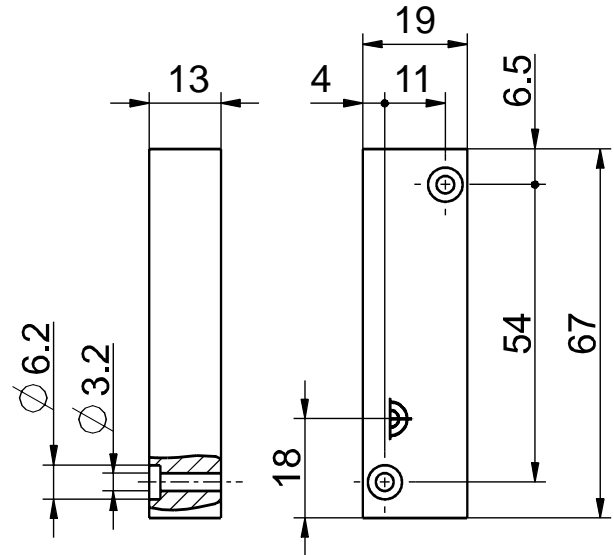


## Accessories for magnetic sensors Actuating magnet M 2580-Niro Extreme Material no.: 1189177 (material no. old: 05.00.8228)

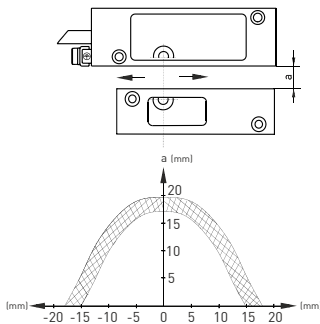
### Product features

- Temperature resistant from -40 °C to +140 °C
- High degree of protection IP68
- Stainless steel enclosure
- Magnet: AlNiCo 500
- Actuation from side
- Switching distance up to 30 mm

### Dimensions



### Axial misalignment



Errors and omissions excepted.