



Accessories for Ex AZM 415 / Ex AZP 415

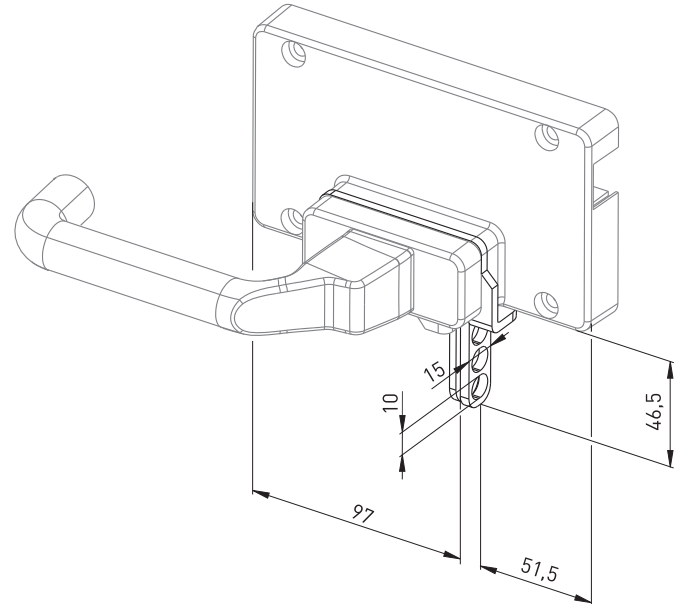
Lockout tag SZ 415-2

Material no.: 1187201 (material no. old: 01.08.0422)

Product features

- For actuator AZM 415-B30-02, -04, -05 and -07
- To prevent inadvertent closing, e. g. during maintenance by preventing actuation of the switch
- Suitable for mounting inside and outside the hazardous area
- Shown version SZ 415-1, version SZ 415-2 mirror-image

Dimensions



Errors and omissions excepted.