



Accessories for ES 14 AZ Extreme / Ex 14 AZ

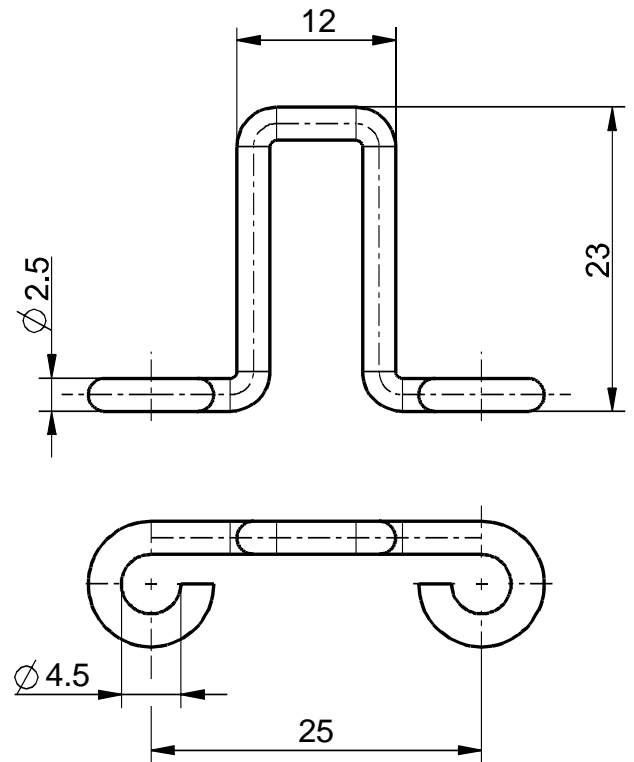
Actuator for ES/Ex 14 AZ

Material no.: 1179003 (material no. old: 02.14.6801)

Product features

- Stainless steel actuator
- Actuating radius on hinged lift cabin/shaft doors
a = 100 mm and b = 100 mm
- Axial misalignment x = 2.5 mm

Dimensions

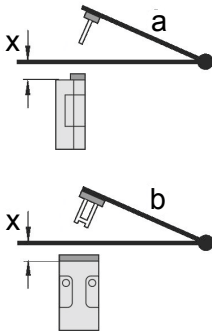


Errors and omissions excepted.



Accessories for ES 14 AZ Extreme / Ex 14 AZ Actuator for ES/Ex 14 AZ Material no.: 1179003 (material no. old: 02.14.6801)

Actuating radii



The axis of the hinge should be x mm above the top edge of the safety switch and in the same plane.

a = Actuating radius to the plane of the actuator

b = Actuating radius in line with the plane of the actuator

x = Axial misalignment

Attention! x must be referred to the surface of the enclosure and not to the inserted actuator!