



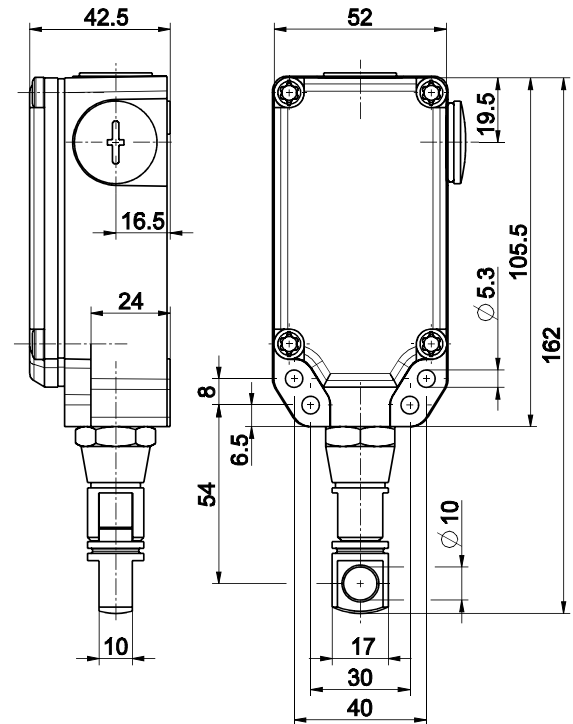
Pull-wire switch ZS 71 Z 1Ö/1S RE

Material no.: 1052373 (material no. old: 71041901)

Product features

- Metal enclosure
- Wall mounting
- Slow action: 2 contacts
- Pull-wire function with latching

Dimensions



Technical data

Applied standards
EN 60947-5-1

Enclosure
aluminium die-cast, powder-coated

Cover
thermoplastic, glass-fibre reinforced, shockproof, self-extinguishing UL 94 V-0

Degree of protection
IP65 (IEC/EN 60529)

Contact material
silver

Switching elements
1 NC/1 NO contact, type Zb

Switching system
slow action, positive break NC contacts ⊕

Connection
screw connection terminals

Cable cross-section
max. 2.5 mm² (incl. conductor ferrules)

Cable entry
2 x M20 x 1.5

Rated impulse withstand voltage U_{imp}
4 kV

Rated insulation voltage U_i
400 V

Conventional thermal current I_{the}
4 A

Utilisation category
AC-15

Rated operating current/voltage I_e/U_e
4 A/400 VAC

Short-circuit protection
4 A gG/gN fuse

Ambient temperature
-25 °C ... +70 °C

Mechanical life
> 1 million operations

Errors and omissions excepted.



Pull-wire switch

ZS 71 Z 1Ö/1S RE

Material no.: 1052373 (material no. old: 71041901)

Technical data (contd.)

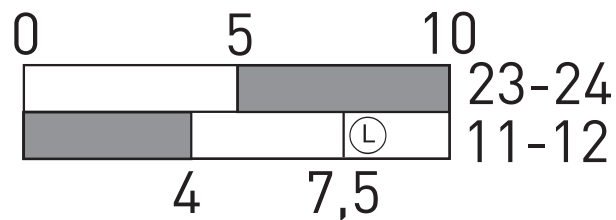
Actuating force
max. 100 N

Weight
387 g

Approvals

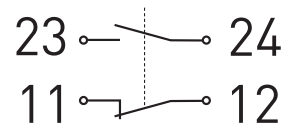


Switching diagram



Ⓛ Latching point

Contact diagram



Errors and omissions excepted.