

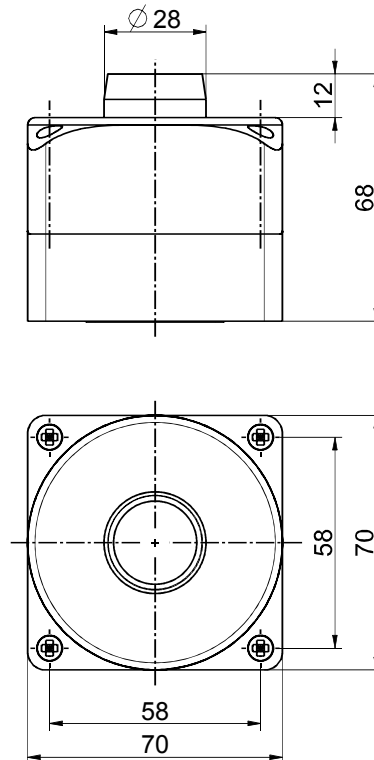


Command device with 1 push button RF BF 74 RT SW868-NET Material no.: 1432574

Product features

- Thermoplastic enclosure
- sWave.NET® wireless technology
- No wiring and pipe laying required
- Configurable online via wireless interface
- Power supply by Lithium battery (replaceable)
- Actuator: Push button RT
- Actuator made of plastic

Dimensions



General technical data

Applied standards

EN 60947-5-1, EN 61000-6-2, EN 61000-6-3, EN 61000-4-2, EN 301 489-1, EN 301 489-3, EN 300 220-1, EN 300 220-2

Enclosure

polycarbonate

Tightening torque

cover screws: approx. 1.6 Nm

Degree of protection

IP65 (IEC/EN 60529)

Ambient temperature

-20 °C ... +65 °C

Operation cycles

max. 12000 telegrams with repetitions/h

Mechanical life

800 000 operations

Actuating time

min. 80 ms

Note

transmission of battery voltage and switching condition

Wireless approvals

Europe: RED 2014/53/EU

Weight

140 g

Errors and omissions excepted.



Command device with 1 push button RF BF 74 RT SW868-NET Material no.: 1432574

Wireless technology

Protocol
sWave.NET®

Frequency
868.3 MHz (Europe)

Transmission power
< 25 mW

Data rate
66 kbps

Channel bandwidth
350 kHz

Wireless range
max. 450 m outdoors, max. 40 m indoors

Voltage supply

Voltage source
lithium battery Tadiran SL-750/S (replaceable)

System
Li/SOCl₂

Nominal voltage
3.6 V

Nominal capacity
1.1 Ah

Battery life
depending on the switching frequency
10 s: ca. 1.5 years
1 min: ca. 7.5 years
manufacturer's specification of max. storage life

Colour plate selection for RT (included in delivery of RT)

