



Foot switch for surgical microscopes MFS MICROSCOPE-MED Material no.: on request

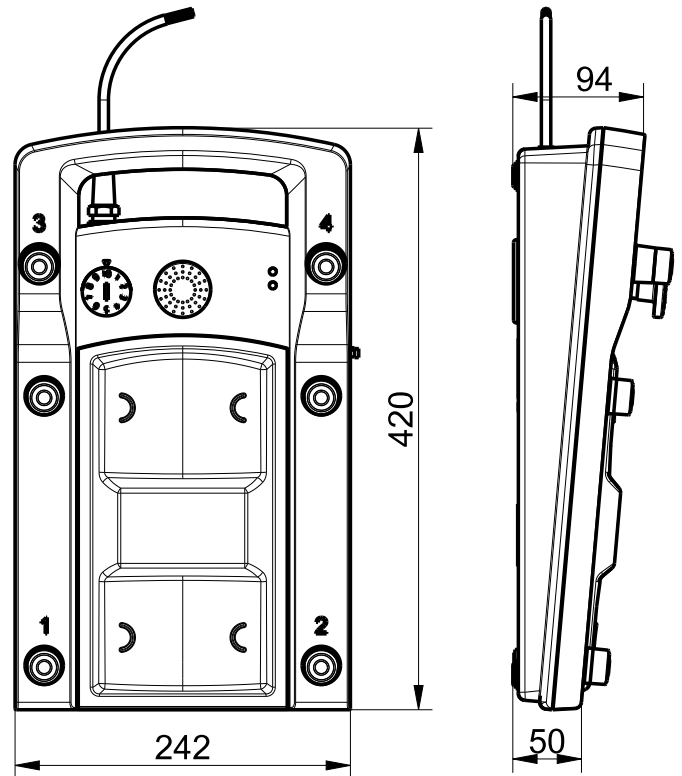
Product features

- Zoom and focus functions with central foot rest
- Joystick for positioning microscope
- 6 additional buttons with programmable functions
- Very easy to clean
- Wireless signal transmission via steute wireless SW2.4LE-MED (optional)

Notes

- Photo shows optional accessories

Dimensions



Technical data

Applied standards

IEC 60601-1, ANSI/AAMI ES60601-1, IEC 60529

Enclosure

thermoplastic, shockproof

Rocker switch

robust, operating theatre approved silicone

Actuator

robust, operating theatre approved silicone

Degree of protection

IPX8 (IEC/EN 60529)

Switching system

rocker switch: 4 switching functions
push button: 6 switching functions
joystick: 4 switching functions (diagonal switching)

Mechanical life

> 250 000 operations

Connection

2 m cable, other lengths optionally available

Switching voltage

max. 25 VAC / 60 VDC

Switch-on current

max. 1 A

Switching capacity

max. 20 VA

Errors and omissions excepted.