

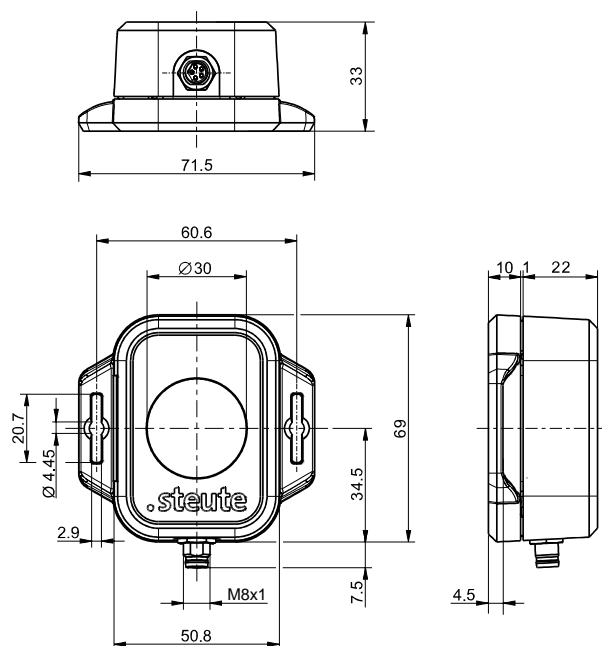


Laser sensor RF LDS ZONE-ST-NET Material no.: 1323312

Product features

- For connection to wireless module RF 96 BU (up to 4 sensors per wireless module)
- Integrated Time of Flight Sensor
- Mounting with universal bracket or via enclosure flange

Dimensions



Technical data

Applied standards

EN 60947-5-2, EN 61000-6-2, EN 61000-6-3, EN 301 489-1, EN 301 489-3, EN 300 220-1, EN 300 220-2

Enclosure

ASA polymer, UL 94 HB, black

Protective screen

PMMA, transparent to infrared light 850 nm

Degree of protection

IP67 (IEC/EN 60529)

Voltage source

External voltage supply nominally 3.6 V, approx. 2 V to 5 V possible

Nominal current

max. 200 mA at 3.6 V

Standby current

max. 15 µA at 3.6 V; no active measurement

Mean operational current

400 µA with 3,6 V and 1 measurement every 10 seconds

Ambient temperature

0 °C ... +65 °C

Wireless range

5 m with sufficiently reflective targets

Minimum distance

40 cm, reduced accuracy with shorter distances

Accuracy

± 20 mm ± 2 %, at 3 m, white target

Field of view

12,4° x 5,4°

Connection

M8 plug, 4-pole

Operation cycles

max. 12000 telegrams with repetitions/h; SW922: max. 1440 telegrams/h in combination with RF 96 BU SW...-NET-LDS

Note

The data are only valid in combination with radio module RF 96 BU-NET-LDS!

Errors and omissions excepted.