

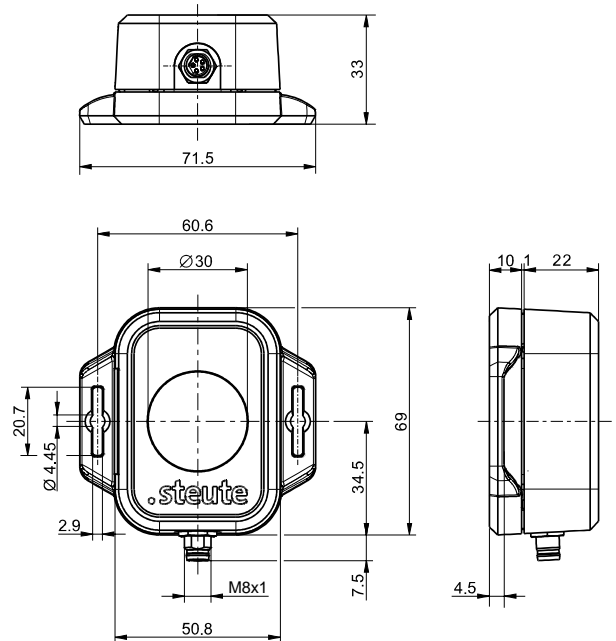


## Wireless laser sensor sWave.NET® RF LDS ZONE-ST-NET Material no.: 1323312

### Product features

- For connection to wireless module RF 96 BU (up to 4 sensors per wireless module)
- Integrated Time of Flight Sensor
- Mounting with universal bracket or via enclosure flange

### Dimensions



### Technical data

#### Applied standards

EN 60947-5-2, EN 61000-6-2, EN 61000-6-3, EN 301 489-1, EN 301 489-3, EN 300 220-1, EN 300 220-2

#### Enclosure

ASA polymer, UL 94 HB, black

#### Protective screen

PMMA, transparent to infrared light 850 nm

#### Degree of protection

IP67 (IEC/EN 60529)

#### Voltage source

External voltage supply nominally 3.6 V, approx. 2 V to 5 V possible

#### Nominal current

max. 200 mA at 3.6 V

#### Standby current

max. 15  $\mu$ A at 3.6 V; no active measurement

#### Mean operational current

400  $\mu$ A with 3,6 V and 1 measurement every 10 seconds

#### Ambient temperature

0 °C ... +65 °C

#### Wireless range

5 m with sufficiently reflective targets

#### Minimum distance

40 cm, reduced accuracy with shorter distances

#### Accuracy

$\pm 20$  mm  $\pm 2$  %, at 3 m, white target

#### Field of view

12,4° x 5,4°

#### Connection

M8 plug, 4-pole

#### Operation cycles

max. 12000 telegrams with repetitions/h; SW922: max. 1440 telegrams/h in combination with RF 96 BU SW...-NET-LDS

Errors and omissions excepted.