



## Wireless command device sWave.NET® RF BF 74 RT SW917-NET Material no.: 1339314

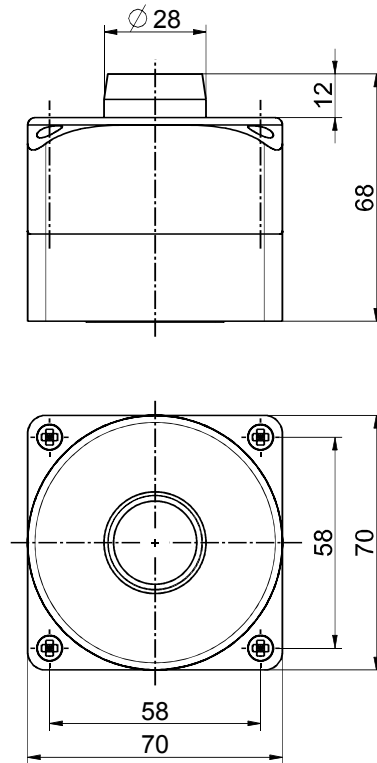
### Product features

- Thermoplastic enclosure
- sWave.NET® wireless technology
- No wiring and pipe laying required
- Configurable online via wireless interface
- Power supply by Lithium battery (replaceable)
- Actuator: Push button RT
- Actuator made of plastic

#### Notes

- The battery must be ordered separately

### Dimensions



### General technical data

#### Applied standards

EN 60947-5-1, EN 61000-6-2, EN 61000-6-3, EN 61000-4-2, EN 301 489-1, EN 301 489-3, EN 300 220-1, EN 300 220-2

#### Enclosure

polycarbonate

#### Tightening torque

cover screws: approx. 1.6 Nm

#### Degree of protection

IP65 (IEC/EN 60529)

#### Ambient temperature

-20 °C ... +65 °C

#### Operation cycles

max. 12000 telegrams with repetitions/h

#### Wireless range

max. 450 m outdoors,  
max. 40 m indoors

#### Mechanical life

800 000 operations

#### Actuating time

min. 80 ms

#### Note

transmission of battery voltage and switching condition

#### Wireless approvals

Brazil: ANATEL 04172-18-06718

Errors and omissions excepted.



Wireless command device sWave.NET®  
RF BF 74 RT SW917-NET  
Material no.: 1339314

Wireless technology

---

<b>Protocol</b> sWave.NET®	<b>Data rate</b> 66 kbps
<b>Frequency</b> 917 MHz (Brazil)	<b>Channel bandwidth</b> 550 kHz
<b>Transmission power</b> < 25 mW	

Voltage supply

---

<b>Voltage source</b> lithium battery Tadiran TLL-5902/S (replaceable), alternatively SL-750/S	<b>Nominal capacity</b> 1.1 Ah
<b>System</b> Li/SOCl <sub>2</sub>	<b>Battery life</b> depending on the switching frequency 10 s: ca. 1.5 years 1 min: ca. 7.5 years manufacturer´s specification of max. storage life
<b>Nominal voltage</b> 3.6 V	

Colour plate selection for RT (included in delivery of RT)



Errors and omissions excepted.