

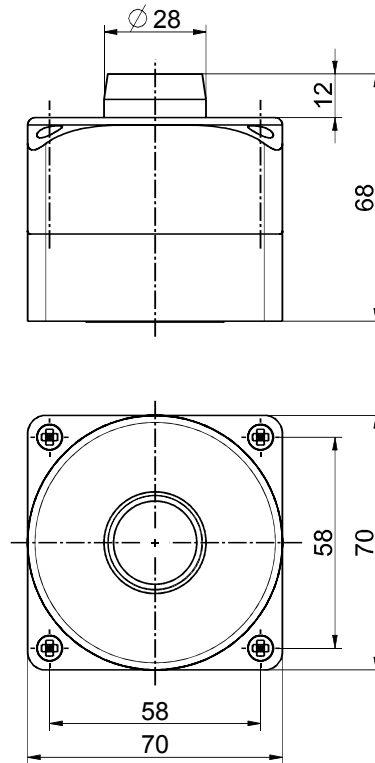


## Wireless command device sWave.NET® RF BF 74 RT SW868 NET Material no.: 1432574

### Product features

- Thermoplastic enclosure
- sWave.NET® wireless technology
- No wiring and pipe laying required
- Configurable online via wireless interface
- Power supply by Lithium battery (replaceable)
- Actuator: Push button RT
- Actuator made of plastic

### Dimensions



### General technical data

#### Applied standards

EN 60947-5-1, EN 61000-6-2, EN 61000-6-3, EN 61000-4-2, EN 301 489-1, EN 301 489-3, EN 300 220-1, EN 300 220-2

#### Enclosure

polycarbonate

#### Tightening torque

cover screws: approx. 1.6 Nm

#### Degree of protection

IP65 (IEC/EN 60529)

#### Ambient temperature

-20 °C ... +65 °C

#### Operation cycles

max. 12000 telegrams with repetitions/h

#### Wireless range

max. 450 m outdoors,  
max. 40 m indoors

#### Mechanical life

800 000 operations

#### Actuating time

min. 80 ms

#### Note

transmission of battery voltage and switching condition

#### Wireless approvals

Europe: RED 2014/53/EU

#### Weight

140 g

Errors and omissions excepted.



Wireless command device sWave.NET®  
RF BF 74 RT SW868 NET  
Material no.: 1432574

Wireless technology

---

Protocol  
sWave.NET®

Data rate  
66 kbps

Frequency  
868.3 MHz (Europe, China)

Channel bandwidth  
350 kHz

Transmission power  
< 25 mW

Voltage supply

---

Voltage source  
lithium battery Tadiran SL-750/S (replaceable)

Battery life  
depending on the switching frequency  
10 s: ca. 1.5 years  
1 min: ca. 7.5 years  
manufacturer's specification of max. storage life

System  
Li/SOCl<sub>2</sub>

Nominal voltage  
3.6 V

Nominal capacity  
1.1 Ah

Colour plate selection for RT (included in delivery of RT)

---

